

PLEASE CHECK WWW.MOLEX.COM FOR LATEST PART INFORMATION

Part Number: [0019092028](#)
Status: **Active**
Overview: [standard_093](#)
Description: 2.36mm (.093") Diameter Standard .093" Pin and Socket Plug Housing With Positive Latch, UL 94V-2, Panel Mount, 2 Circuits

Documents:

[3D Model](#) [Packaging Specification \(PDF\)](#)
[Drawing \(PDF\)](#) [RoHS Certificate of Compliance \(PDF\)](#)

Agency Certification

CSA	LR19980
TUV	R72081037
UL	E29179

General

Product Family	Crimp Housings
Series	3191
Comments	Polarized to Mating Part, With Mounting Ears
Overview	standard_093
Product Name	Standard .093"

Physical

Breakaway	No
Circuits (maximum)	2
Color - Resin	Natural
Flammability	94V-2
Gender	Dual
Glow-Wire Compliant	No
Keying to Mating Part	None
Lock to Mating Part	Yes
Material - Resin	Nylon
Number of Rows	1
Packaging Type	Bag
Panel Mount	Yes
Pitch - Mating Interface (in)	0.264 In
Pitch - Mating Interface (mm)	6.71 mm
Polarized to Mating Part	Yes
Stackable	No
Temperature Range - Operating	-40°C to +105°C

Electrical

Current - Maximum per Contact	12A
-------------------------------	-----

Material Info

Old Part Number	3191-2P
-----------------	---------

Reference - Drawing Numbers

Sales Drawing	SD-3191-2*
---------------	------------

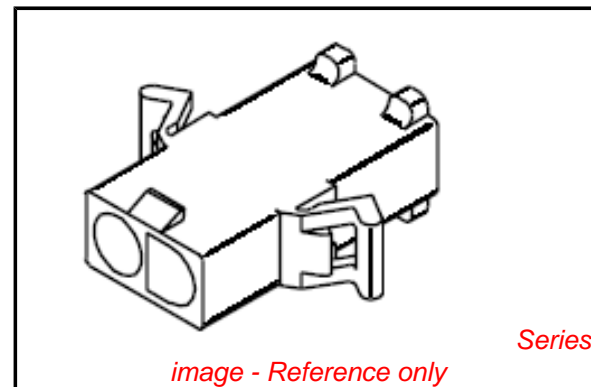


image - Reference only

EU RoHS

**ELV and RoHS
Compliant**
**REACH SVHC
Contains SVHC: No**
**Halogen-Free
Status**

China RoHS



**Need more information on product
environmental compliance?**

Email productcompliance@molex.com
For a multiple part number RoHS Certificate of Compliance, [click here](#)

Please visit the [Contact Us](#) section for any non-product compliance questions.

Search Parts in this Series

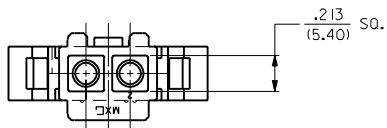
[3191Series](#)

Mates With

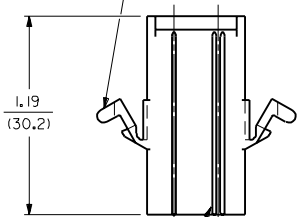
[3191](#) Pin and Socket Rectacle, [5219](#) Vertical PCB Header

Use With

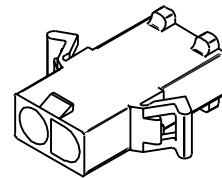
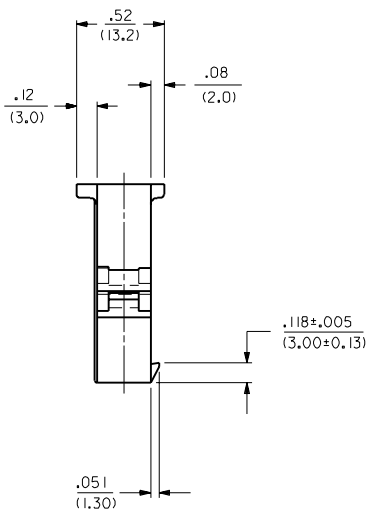
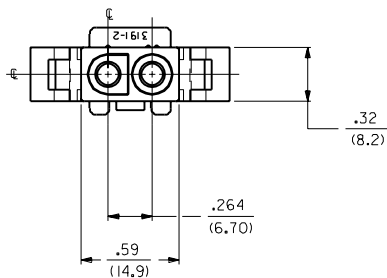
[1189](#) Crimp Terminals, [1190](#) Crimp Terminals, [1380](#) Male Crimp Terminals, [1381](#) Female Crimp Terminals, [1433](#) Crimp Terminals, [1434](#) Male Crimp Terminals, [2605](#) , [2606](#) , [1973](#) , [2151](#) , [2273](#) , [2870](#) , [2871](#) , [4272](#) , Lin



PREBENT MOUNTING EAR
(WHEN SPECIFIED)



CIRCUIT NUMBER
IDENTIFICATION RIBS



PLUG

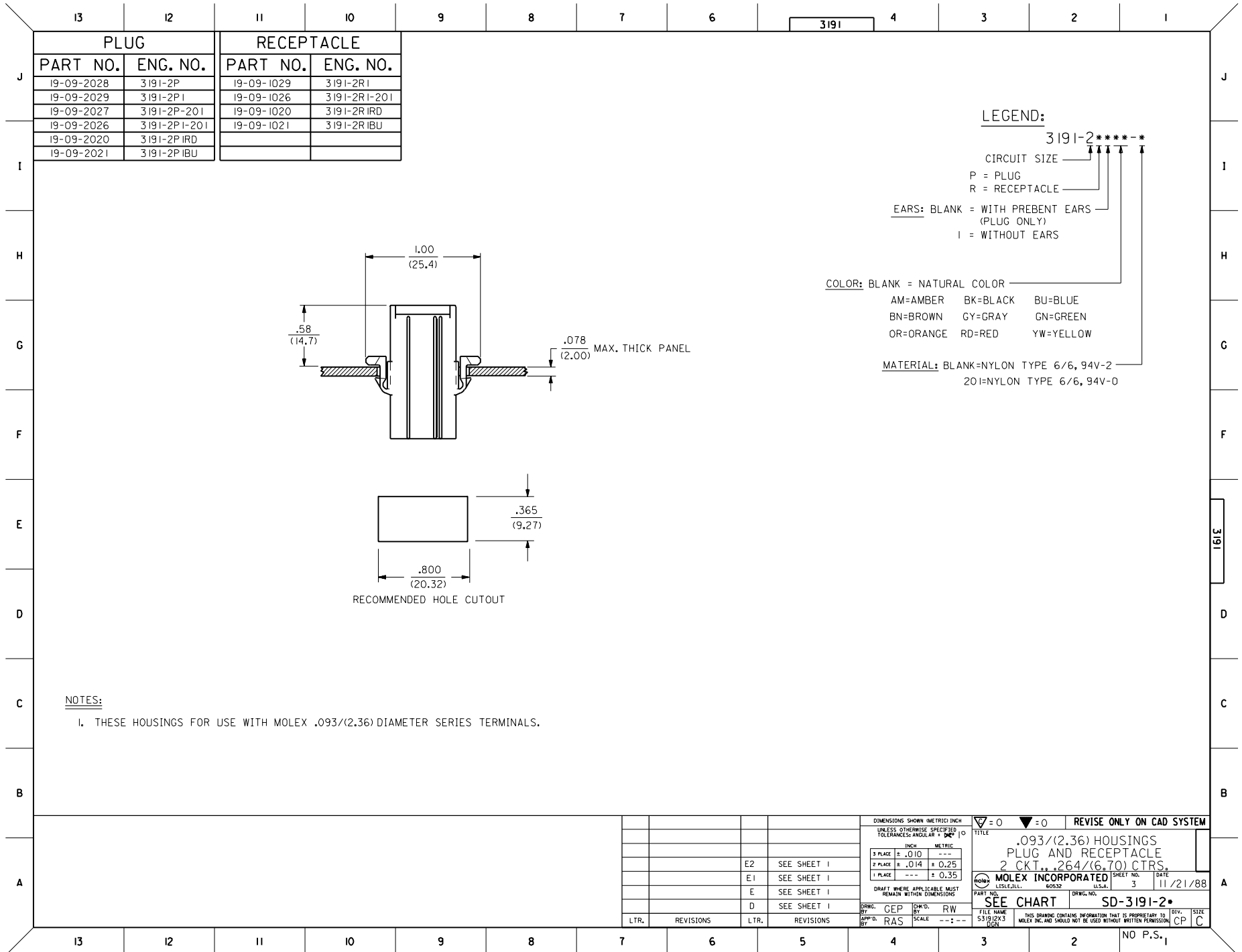
3	E2	
2	D	
1	E4	
<input checked="" type="checkbox"/>	SH.	REV. LTR. REVISIONS

UNLESS OTHERWISE SPECIFIED
TOLERANCES: ANGULAR ± .001 TO

DIMENSIONS SHOWN METRIC (INCH)		▽ = 0	▼ = 0	REVISE ONLY ON CAD SYSTEM	
3 PLACE	± .010	---	---	TITLE	
2 PLACE	± .014	± 0.25	---	.093/(2.36) HOUSING, PLUG AND RECEPTACLE, 2 CKT ± .264/(6.70) CTRS.	
1 PLACE	---	± 0.35	---	PART NO. DATE	
DRAFT WHERE APPLICABLE MUST REMAIN WITHIN DIMENSIONS			MOLEX INCORPORATED SHEET NO. DATE		
DRWG. BY: CEP			L15LEJLL. 60532 U.S.A. 1 of 3 11/21/88		
DRWG. BY: RW			SEE CHART DRWG. NO. SD-3191-2*		
SCALE: 2 : 1			FILE NAME: S31912X1		
APP'D: RAS			THIS DRAWING CONTAINS INFORMATION THAT IS PROPRIETARY TO MOLEX INC. AND SHOULD NOT BE USED WITHOUT WRITTEN PERMISSION.		

E4	REVISED UCR 98-0148 WANG 98-04-15
E3	ADD RAMP DIM'S ECN #U4 0293 3-1-94 RW
E2	X-REMOVE ECR U3 0001 GC 12/30/92 RW
E1	REL. RED VERSIONS ECR U1 2167 GC 1/24/92 RW
E	REV. MATL. CODE ECR # U90901 KBW 01-25-89 RW
D	REV. & REDRAWN ECR UB 1858 GEP 11-21-88 RW

NO P.S. 1



PLUG		RECEPTACLE	
PART NO.	ENG. NO.	PART NO.	ENG. NO.
19-09-2028	3191-2P	19-09-1029	3191-2R1
19-09-2029	3191-2P1	19-09-1026	3191-2R1-201
19-09-2027	3191-2P-201	19-09-1020	3191-2R IRD
19-09-2026	3191-2P1-201	19-09-1021	3191-2R IBU
19-09-2020	3191-2P IRD		
19-09-2021	3191-2P IBU		

PLUG		RECEPTACLE	
PART NO.	ENG. NO.	PART NO.	ENG. NO.
19-09-2028	3191-2P	19-09-1029	3191-2R1
19-09-2029	3191-2P1	19-09-1026	3191-2R1-201
19-09-2027	3191-2P-201	19-09-1020	3191-2R IRD
19-09-2026	3191-2P1-201	19-09-1021	3191-2R IBU
19-09-2020	3191-2P IRD		
19-09-2021	3191-2P IBU		

LEGEND:

- 3191-2****-*
- CIRCUIT SIZE
 - P = PLUG
 - R = RECEPTACLE
 - EARS: BLANK = WITH PREBENT EARS (PLUG ONLY)
 - I = WITHOUT EARS
- COLOR: BLANK = NATURAL COLOR
- AM=AMBER BK=BLACK BU=BLUE
 - BN=BROWN GY=GRAY GN=GREEN
 - OR=ORANGE RD=RED YW=YELLOW
- MATERIAL: BLANK=NYLON TYPE 6/6, 94V-2
- 201=NYLON TYPE 6/6, 94V-0

NOTES:

1. THESE HOUSINGS FOR USE WITH MOLEX .093/(2.36) DIAMETER SERIES TERMINALS.

DIMENSIONS SHOWN (METRIC) INCH		UNLESS OTHERWISE SPECIFIED TOLERANCES: ANGLES .015		REVISIONS		TITLE		DRAWING INFORMATION	
3 PLACE	± .010	---	---	E2	SEE SHEET 1	.093/(2.36) HOUSINGS PLUG AND RECEPTACLE		MOLEX INCORPORATED	
2 PLACE	± .014	± 0.25	---	E1	SEE SHEET 1	2 CKT., .264/(6.70) CTRS.		LITTLE, JILL.	
1 PLACE	---	± 0.35	---	E	SEE SHEET 1	SEE CHART		60532	
DRAFT WHERE APPLICABLE MUST REMAIN WITHIN DIMENSIONS				D	SEE SHEET 1	PART NO.		SD-3191-2*	
DRWG. BY	CEP	CHK'D. BY	RW	LTR. REVISIONS		FILE NAME		531912X3	
APP'D. BY	RAS	SCALE	---	LTR. REVISIONS		THIS DRAWING CONTAINS INFORMATION THAT IS PROPRIETARY TO MOLEX INC. AND SHOULD NOT BE USED WITHOUT WRITTEN PERMISSION		NO P.S. 1	